

IM400RCX - IM490RCX

IMAX XENON SEARCHLIGHTS

Xenon lamps provide a type of light with very high 'colour temperature'.

This means that these lamps feature a continuous spectrum which closely approximates daylight in the visible spectrum and infrared range, making them superior to be used in searchlights for spotting ice and other potential hazards.

The very high technical quality of the light is closely linked to the quality of the IMAX Xenon Searchlights.

The design of IMAX Searchlights is based on many years of experience and extensive research in the field of Marine Lighting.

Apart from using the latest design in light technology, IMAX maintains her well known high quality standard of the hardware:

- well protected non-corrosive materials
- top quality optics
- heat resistant tempered front-glass
- low maintenance and long durable life

IMAX LIGHTENS YOUR WORK.



IMAX Searchlights:

- **SUPERB OPTICS**
- **POWERFUL LONGRANGE BEAM**
- **ELECTRICAL REMOTE CONTROL**
- **NON CORROSIVE MATERIALS**
- **LOW MAINTENANCE**
- **DURABILITY**



Pan movement 370°, pan speed 1°/sec. Tilt movement -45° to +45°.

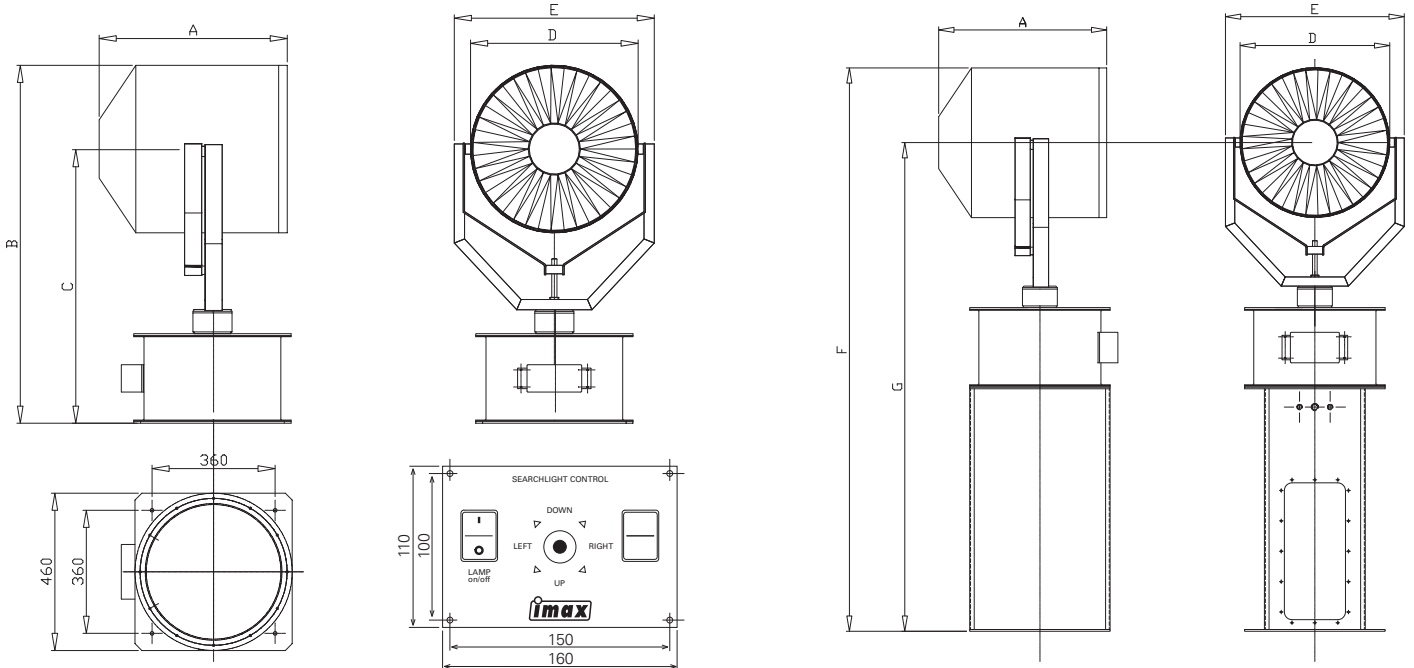
Operating temperature +60 to -40°C, thermocontrolled heater.

Protection class IP54, (seperate) PSU IP20. Frontglass toughened, heat resistant.

Stainless steel searchlight, white epoxy powder coated with black rim.

DIMENSIONS

all dimensions in mm.



Type ref.	V ¹ /W	Dimensions in mm.							Weight excl. pedestal ²
		A	B	C	D	E	F	G	
IM400RCX	230/1000	500	880	680	400	450	1680	1250	50
IM490RCX	230/2000	607	990	743	490	500	1780	1100	59
IM490RCX	230/3000	607	990	743	490	500	1780	1100	59

Power Supply Unit ³	Dimensions in mm.	Weight in kg
1000 W Xenon	600 x 250 x 230	60
2000 W Xenon	350 x 410 x 840	101
3000 W Xenon	410 x 460 x 940	127

¹ Other voltages available

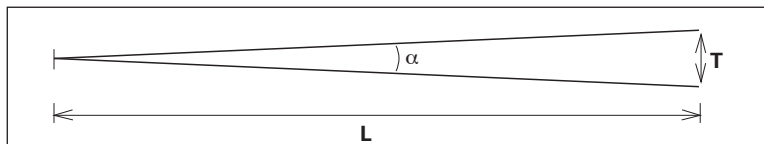
² Ad 35 kg for 600 or 40 kg for 800 mm pedestal

Control Panel 160x110mm - 4 fixing holes ø 3 mm at 150x100mm - cut out 140x90mm

LIGHT TECHNICAL DATA

Lamp Power	Mirror Diameter	PBCP (measured) Lum x 1000	Range in meters (L)	Divergence (α)	Pan	Tilt
1000 W	358 mm	40 x 10 ⁶	6,700	2 - 8°	370°	+45 to -45°
2000 W	457 mm	87 x 10 ⁶	7,400	2 - 8°	370°	+45 to -45°
3000 W	457 mm	91 x 10 ⁶	9,200	3 - 8°	370°	+45 to -45°

Illuminated area at given distance = 2D x tg(α:2)



your supplier:

