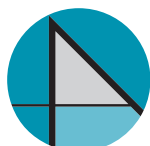




Better Lighting Solutions for Area

Thanks to a robust aluminium housing with safety tempered glass cover, high quality led and driver, our slim G3 LED Floodlight delivers high lumen efficacy up to 170 lm/w and long lifetime. Asymmetric optical distribution improves light effect.



MARILIGHT HOLLAND
FOR MARINE AND INDUSTRY

CB

UK
CA

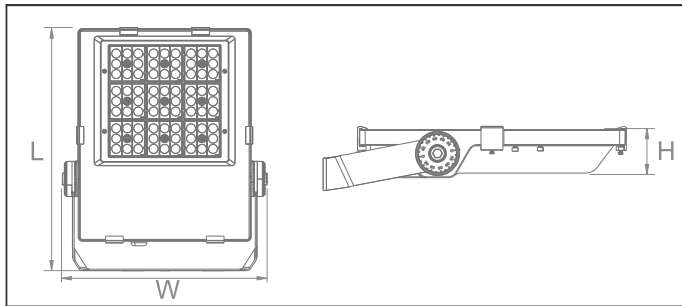
CE

RoHS
COMPLIANT



Features

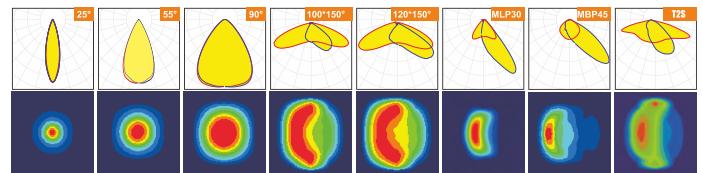
- Housing: Die Cast Aluminum
- Thermal Conductivity: 96 W/m·K
- Led: Philips
- CRI: Ra>70
- SDCM: <5
- Power Factor: >0.95
- THD: <15
- Driver: Sosen
- Driver Efficiency: >93%
- Protection: OTP, OCP, OVP, SCP
- Surge Protection: 6KV
- Waterproof: IP66
- Impact Test: IK08&IK10
- Electrical: 100-277V, 50/60Hz
- Operating Temperature: -40~50°C
- TM21: L90B10>50,000H
- Lifetime: 50,000H



Functions

ZigBee · DMX · DALI · 0/1~10V

Optical options:



160~180 lm/w

Sosen Driver

Philips LED

Model	Watt	Voltage	Lumen	CRI	IP	Dimension
MLF16000-5	100W	100-277V	16000LM	>70	IP66	288*254*57
MLF25500-5	150W	100-277V	25500LM	>70	IP66	332*279*57
MLF34000-5	200W	100-277V	34000LM	>70	IP66	403*333*57
MLF40800-5	240W	100-277V	40800LM	>70	IP66	403*333*57
MLF68000-5	400W	100-277V	68000LM	>70	IP66	490*418*74